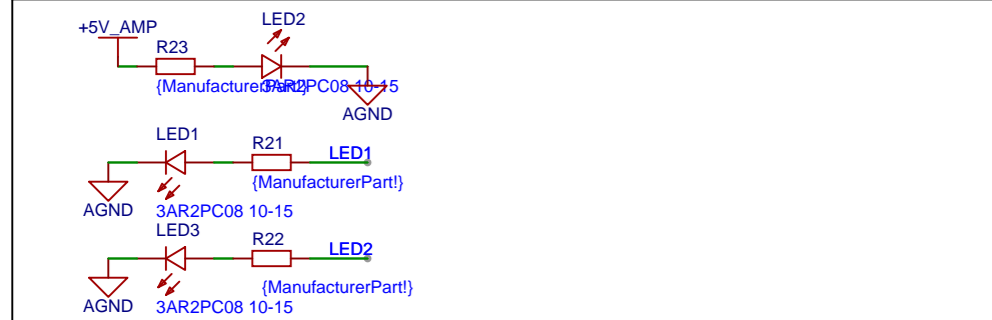
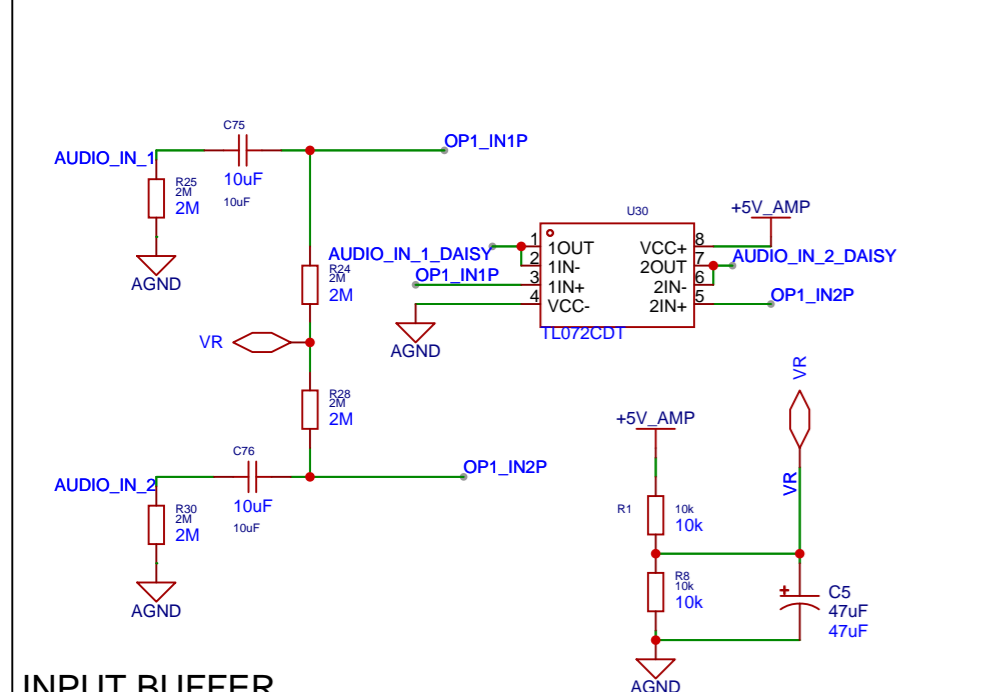


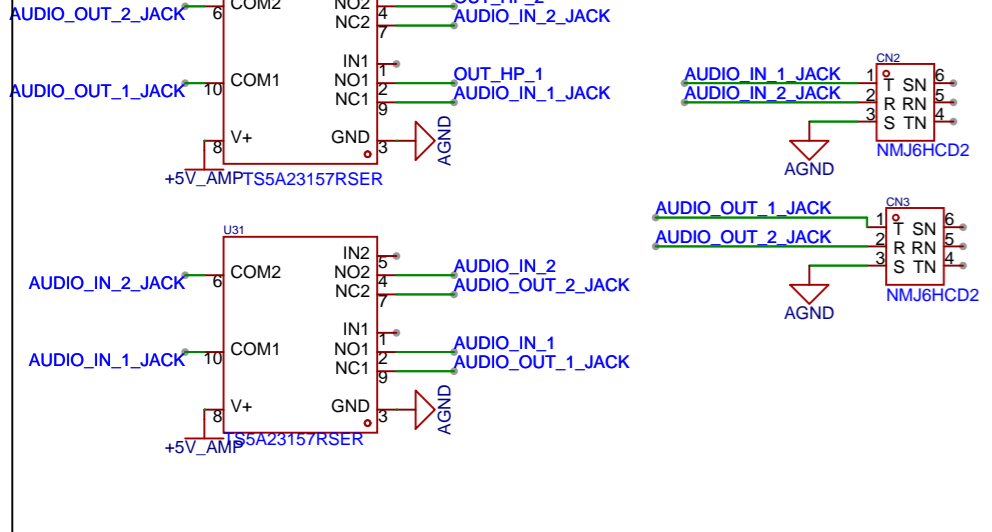
POWER



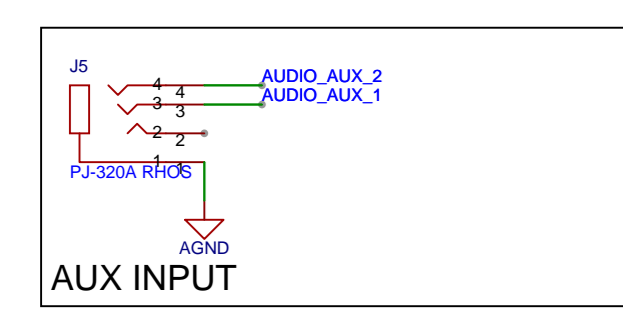
LEDS



INPUT BUFFER



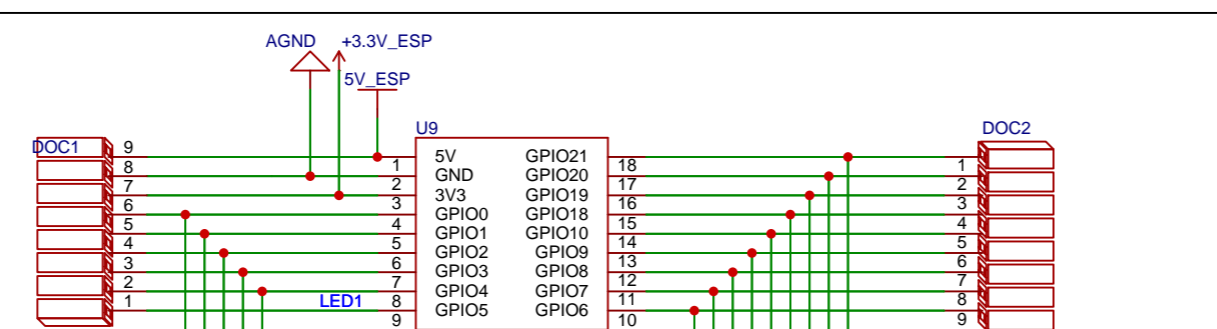
TRS & RELAY TRUE BYPASS



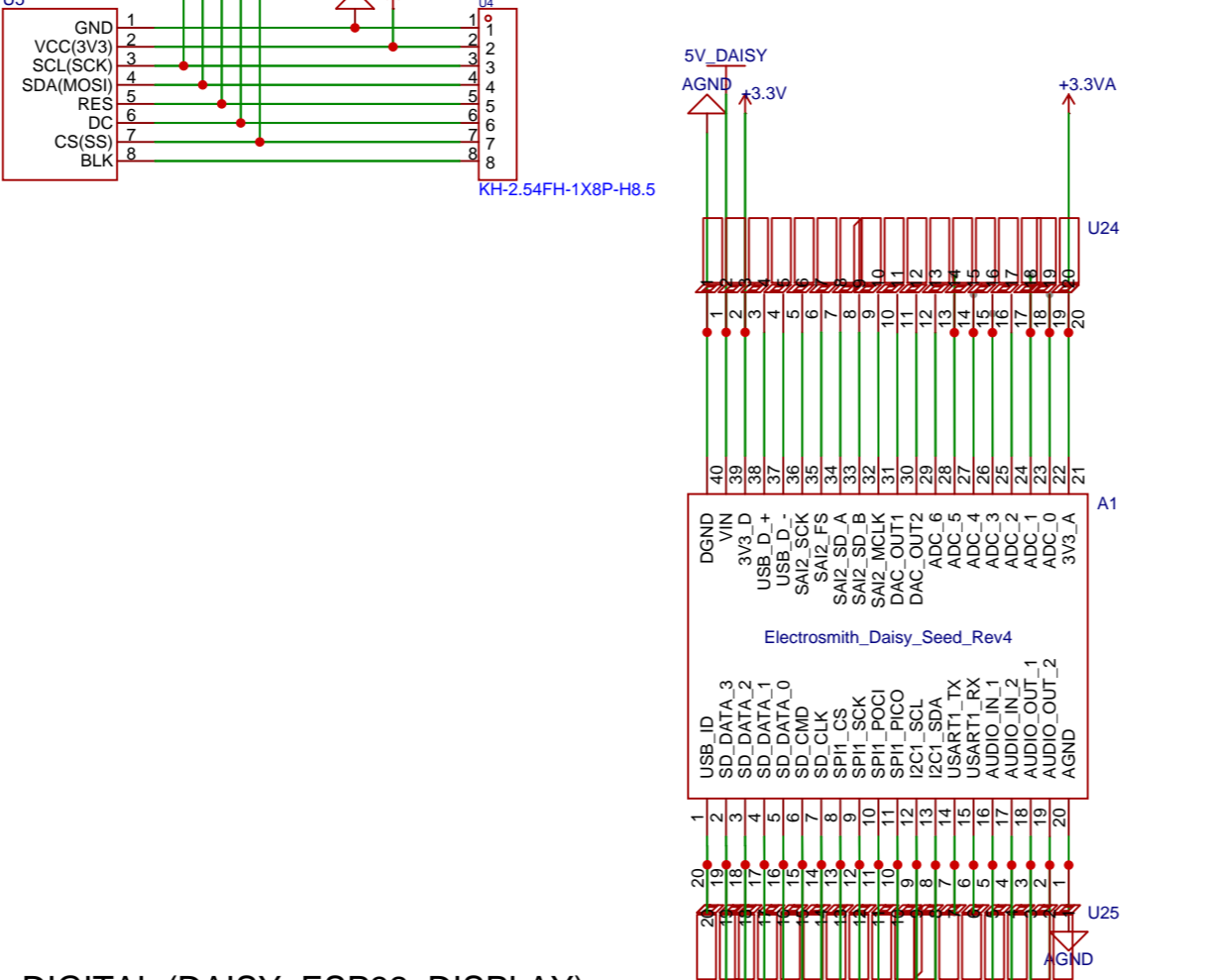
AUX INPUT



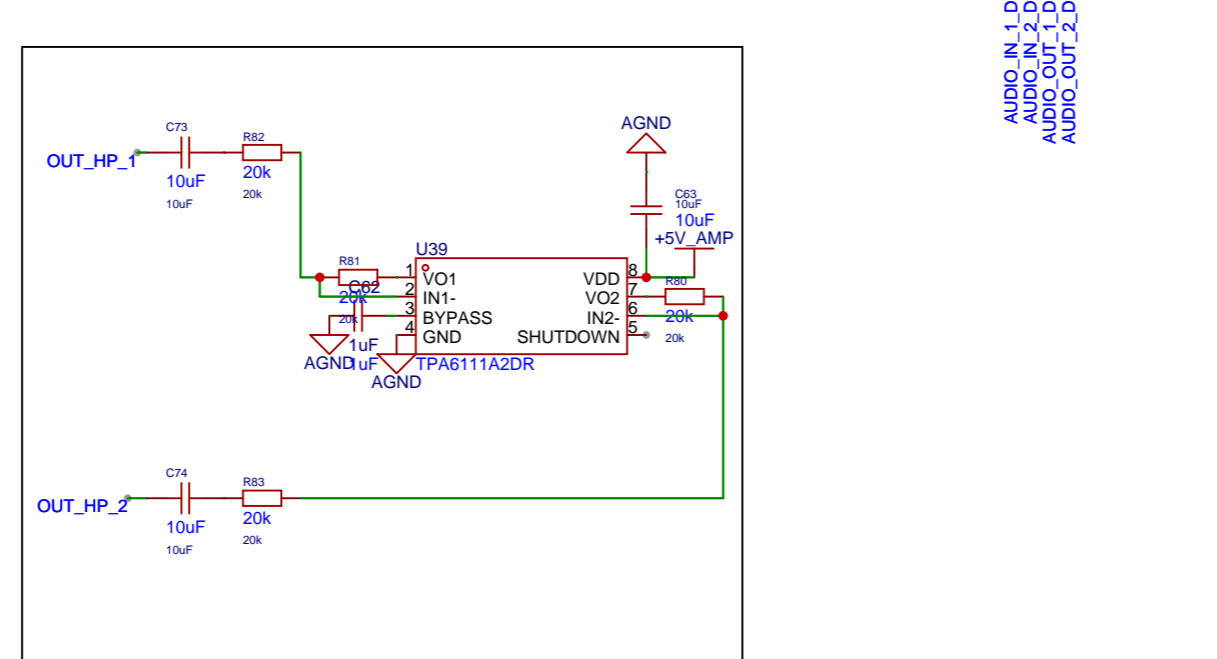
FOOT SWITCHES



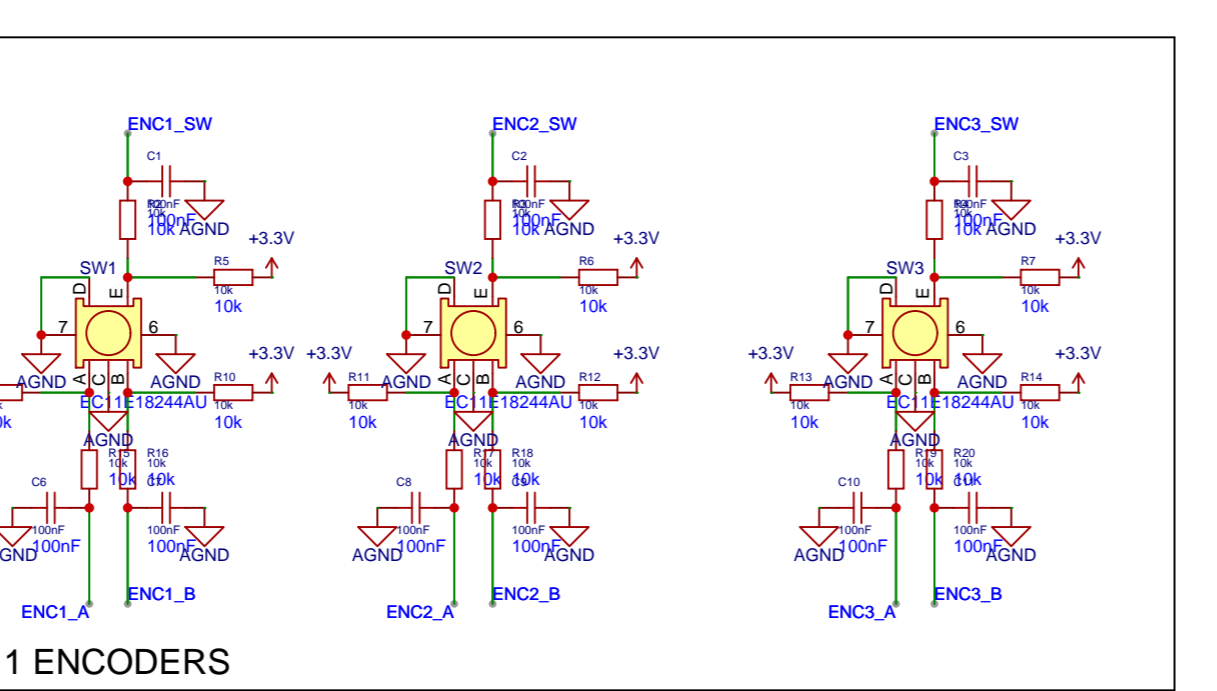
DIGITAL (DAISY, ESP32, DISPLAY)



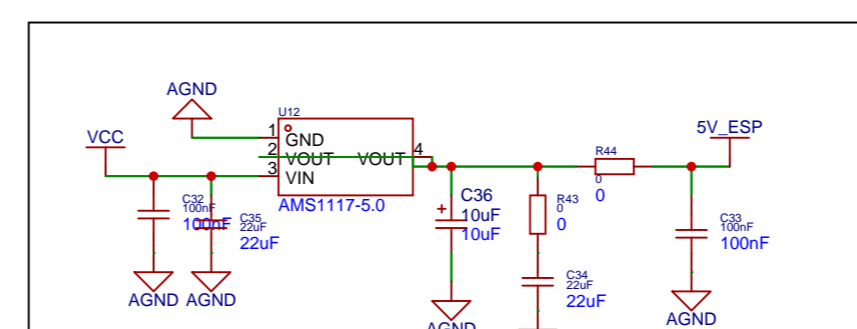
DIGITAL (DAISY, ESP32, DISPLAY)



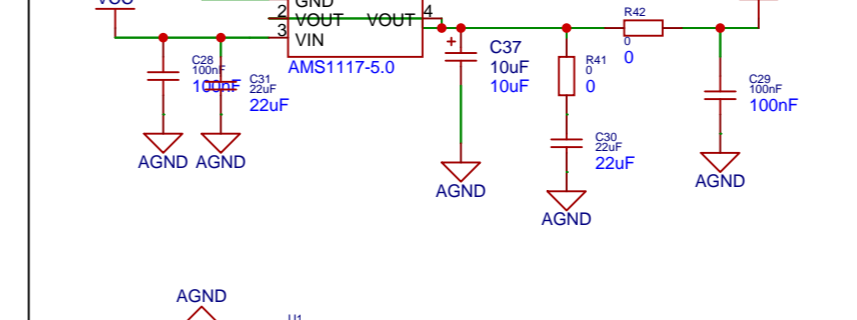
OUTPUT BUFFER



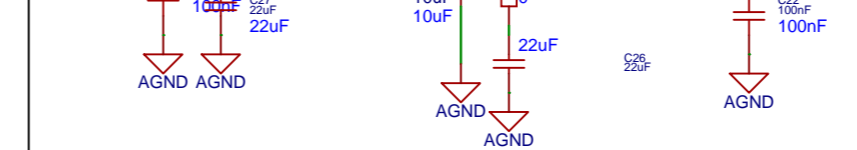
ENC11 ENCODERS



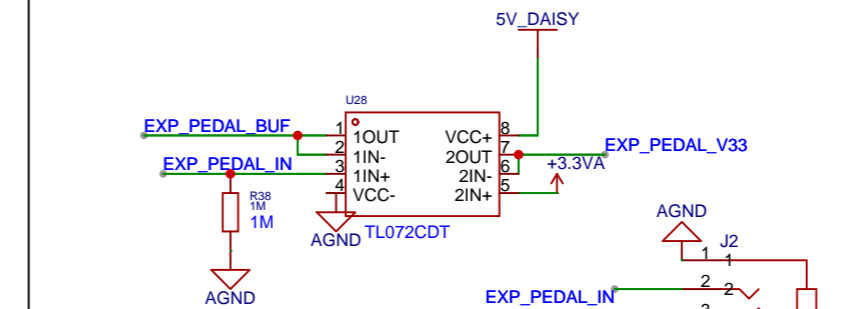
LDO (DAISY, ESP, BUFFERS)



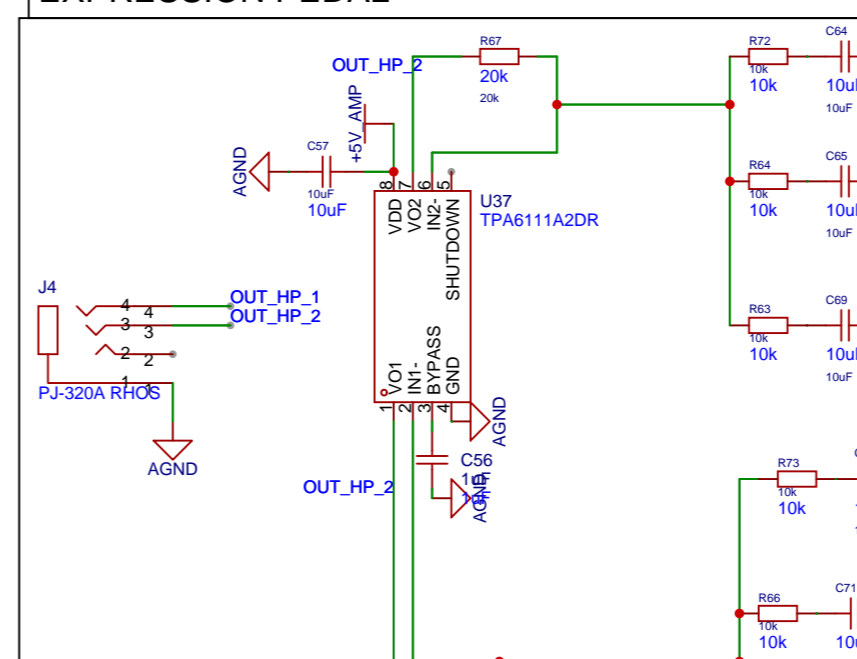
LDO (DAISY, ESP, BUFFERS)



LDO (DAISY, ESP, BUFFERS)



EXPRESSION PEDAL



HEADPHONES AMP

Schematic	Schematic2_16	Update Date	2024-04-21
Page	P1	Create Date	2024-04-17
Drawn	EasyEDA Pro	Part Number	JLPCB-002
Reviewed	EasyEDA Pro	LP_Wiring	
VER	SIZE	PAGE	1 OF 1
EasyEDA		V0.1	A4
EasyEDA.com			